

ETHAN ALLEN®

Palmetta Floor Lamp Assembly Instructions 092019 BRS

IMPORTANT SAFETY INSTRUCTIONS

TO REDUCE THE RISK OF FIRE, ELECTRICAL SHOCK, AND PERSONAL INJURY:

This lighting fixture is for indoor use only. This lamp is equipped with a polarized plug. One plug blade is wider than the other. DO NOT MODIFY the plug or power cord in any way. DO NOT EXCEED the recommended bulb wattage. Use only the type of bulb specified. Keep flammable materials away from the bulb. DO NOT alter the wiring in any manner. If using an extension cord, follow precautions provided with the power cord.

Use care when unpacking. Locate ALL THE PARTS INCLUDED before disposing of packaging materials. Remove the silica gel packet from the socket before plugging the lamp into an outlet.

ASSEMBLY, CARE, AND TROUBLESHOOTING

TOOLS REQUIRED FOR INSTALLATION
Screwdriver

- Light bulbs not included

Parts Included (Refer to figure):		
Part	Qty.	Description
A	6	Metal Leaves with Socket
B	6	Metal Leaves without Socket
C	6	Metal Clip
D	12	Short Screw
E	12	Long Screw
F	1	Lamp Body
G	6	Lamp Socket
H	1	Plug Cover

Assembly Procedure: (Refer to the Figure)

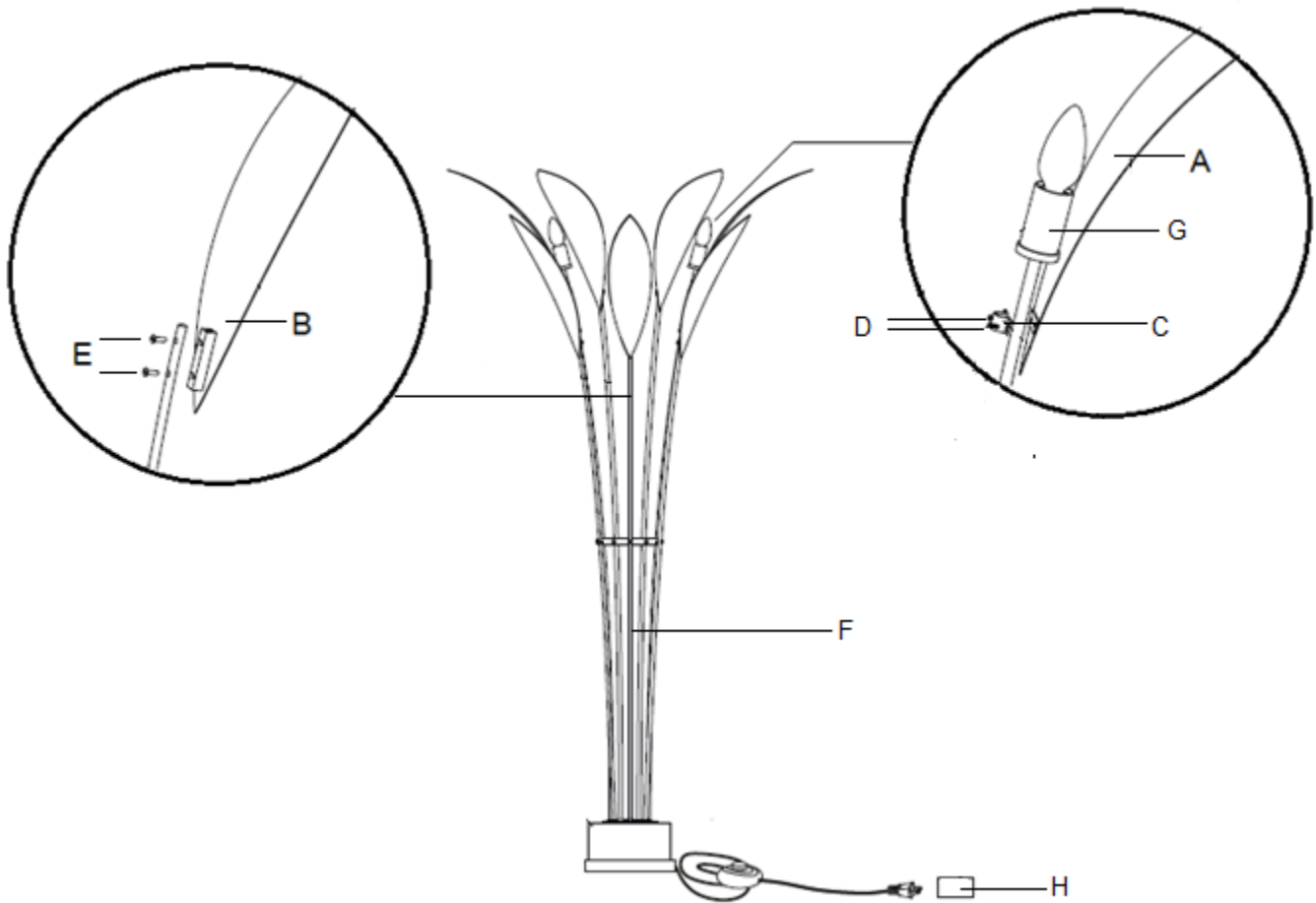
1. Attach Metal Leaves with Socket (A) to metal arms, slightly below Lamp Socket (G). Secure the leaves with Metal Clip (C) and Short Screws (D).
2. Attach Metal Leaves without Socket (B) to the top of metal arms that are not equipped with any Lamp Socket (G). Secure the leaves with Long Screws (E).
3. Insert six (6) 60-Watt maximum E12 Type B candelabra incandescent light bulbs (not included) or six (6) 5.5-watt maximum LED E12 Type B candelabra light bulbs (not included) into the Lamp Sockets (G). Do not exceed the specified wattage.
4. Remove Plug Cover (H) from Plug.

Caring for and cleaning your lamp:

- 1. Wipe with a soft dry cloth.
- 2. Avoid cleaners, scouring pads, etc.
- 3. Before changing bulb(s), unplug lamp and allow the bulb to cool.

Troubleshooting:

Problem	Possible cause	Correction
Bulb does not light	Bulb is burned out or damaged	Replace bulb
	Power to lamp is off	Confirm power is on
	Lamp is not plugged in	Confirm lamp is plugged in



If the fixture still does not work after troubleshooting, please contact your local Ethan Allen Design Center.

SAVE THESE INSTRUCTIONS