

ETHAN ALLEN[®]

SLOANE ARC FLOOR LAMP Assembly Instructions 092020 BRS / 092020 ORB

IMPORTANT SAFETY INSTRUCTIONS. READ THESE INSTRUCTIONS COMPLETELY BEFORE STARTING.

TO REDUCE THE RISK OF FIRE, ELECTRICAL SHOCK, AND PERSONAL INJURY:

This lighting fixture is for indoor use only. This lamp is equipped with a polarized plug. One plug blade is wider than the other. DO NOT MODIFY the plug or power cord in any way. DO NOT EXCEED the recommended bulb wattage. Use only the type of bulb specified. Keep flammable materials away from the bulb. DO NOT OPEN the product or alter the wiring in any manner. If using an extension cord, follow precautions provided with the power cord.

Use care when unpacking. Locate ALL THE PARTS INCLUDED before disposing of packaging materials. Remove the silica gel packet from the socket before plugging the lamp into an outlet.

ASSEMBLY, CARE, AND TROUBLESHOOTING

- No additional tools required for assembly (wrench included)
- Light bulb (15W max LED E26 Type A) is not included

Parts Included: (Refer to the Figure)

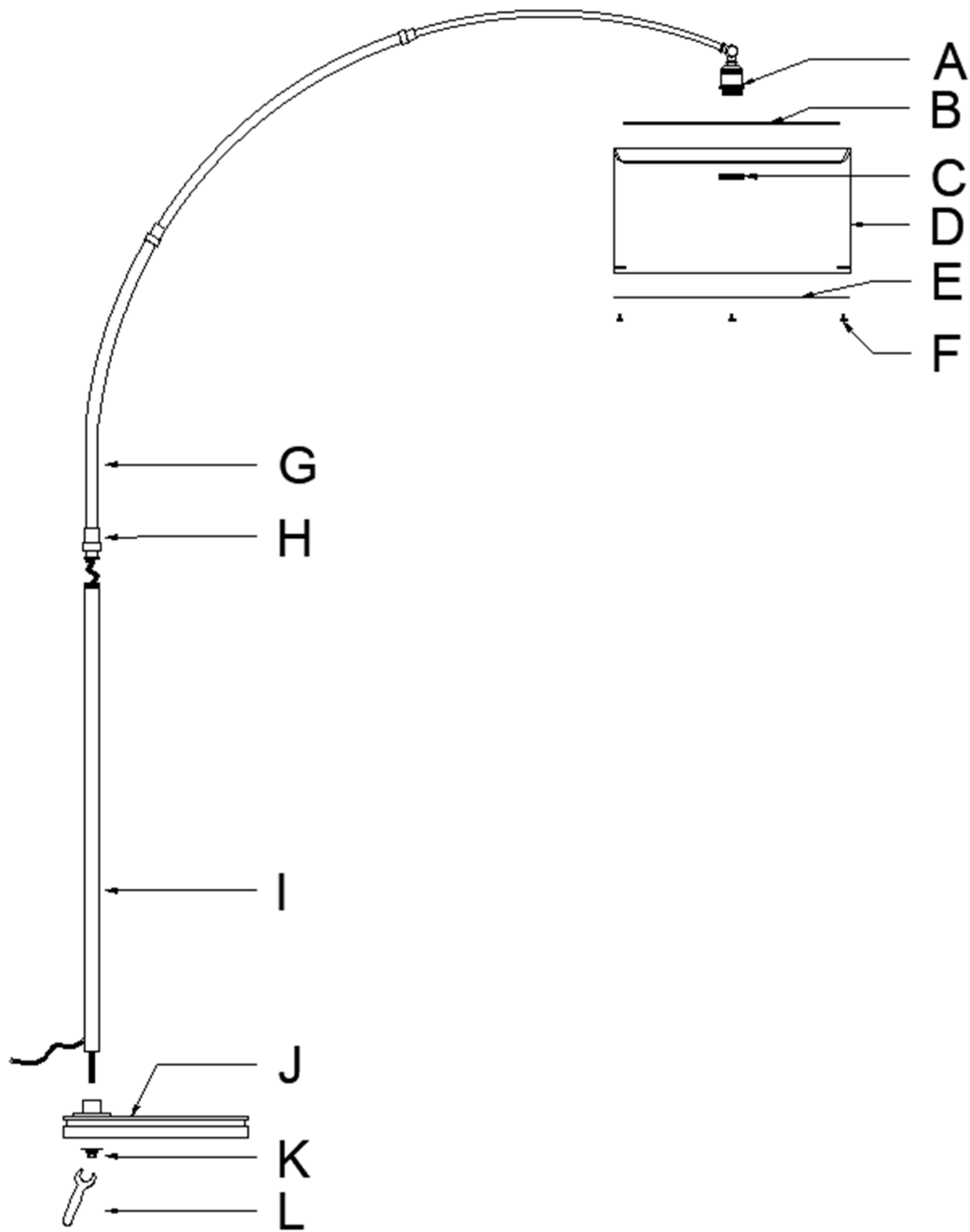
- A. Socket (attached, no assembly required)
- B. Top Diffuser (packed with shade in separate carton)
- C. Socket Ring
- D. Shade (packed in separate carton)
- E. Bottom Diffuser (packed with shade in separate carton)
- F. Small Knobs (3pcs packed with shade in separate carton)
- G. Arc Arm
- H. Connector
- I. Bottom Column
- J. Base
- K. Washer and Nut
- L. Wrench

Assembly Procedure: (Refer to the Figure)

1. Insert the threaded tube of the Arc Arm (G) onto the top of the Bottom Column (I). Fasten the Connector (H) to the Bottom Column (I) tightly.
2. Insert the threaded tube of the Bottom Column (I) through the Base (J). Firmly secure with the Washers and Nut (K) on the underside of the Base (J) using the Wrench (L). Make sure the lamp body is not loose and does not wobble.
3. Remove the Socket Ring (C) from Socket (A). Hold the Top Diffuser (B) and Shade (D) against the Socket (A). Secure with Socket Ring (C).
4. Install bulb (15W max LED E26 Type A, not included) into Lamp Socket (A).
5. Install Bottom Diffuser (E) onto the bottom of Shade (D). Secure with the Small Knobs (F).
6. Remove plug cap from plug.

SAVE THESE INSTRUCTIONS

ETHAN ALLEN[®]



Caring for and cleaning your lamp:

1. Wipe with a soft, dry cloth.
2. Avoid cleaners, scouring pads, etc., as these may cause damage to the lamp finish.
3. Before changing bulb, unplug the lamp and allow the bulb to cool first.

SAVE THESE INSTRUCTIONS

ETHAN ALLEN[®]

Troubleshooting:

Problem:	Possible cause:	Correction:
Bulb does not light	Bulb is burnt or damaged	Replace bulb
	Power to lamp is off	Confirm power is on
	Lamp is not plugged in	Confirm lamp is plugged in

If the fixture still does not work after troubleshooting, please contact your local Ethan Allen Design Center.

SAVE THESE INSTRUCTIONS