

ETHAN ALLEN®

Palmetta Chandelier ASSEMBLY INSTRUCTIONS

093078 BRS

IMPORTANT SAFETY INSTRUCTIONS. READ THESE INSTRUCTIONS COMPLETELY BEFORE STARTING.

We strongly recommend that all direct-wired lighting products be installed by a licensed electrician. Two people may be required for installation. DO NOT EXCEED the rated bulb wattage. Keep flammable materials away from bulbs. This light fixture is shipped with all internal wiring intact. Do not open the product or alter the wiring in any manner.

Installation requires an electrical junction box in the ceiling sufficient to support the weight of the light fixture. This fixture weighs: 12.5 lbs. (5.6 kg).



WARNING: Be certain that the power to the electrical junction box is turned off at the circuit breaker before installation. Turning the power off at a light switch is not sufficient to prevent electrical shock.

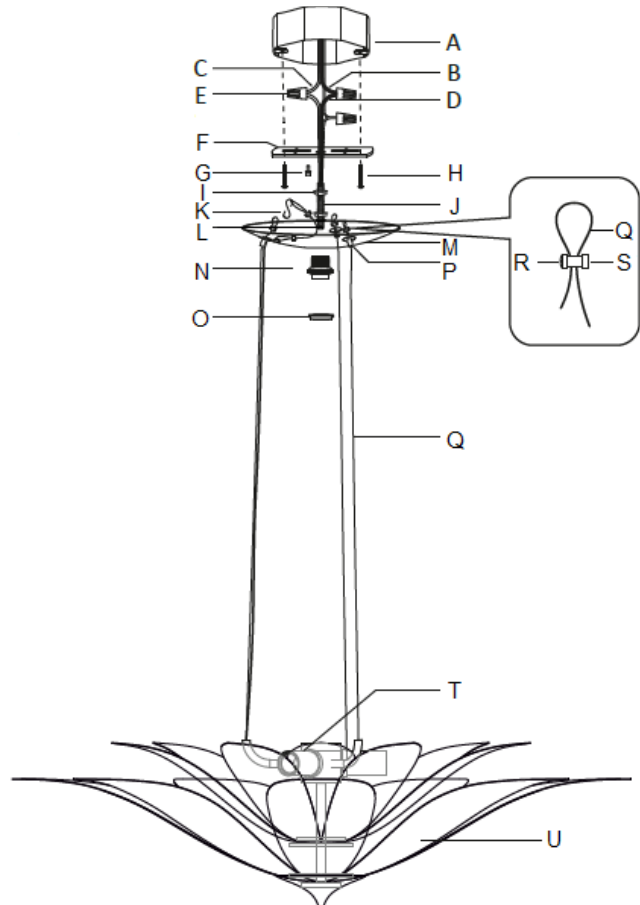
CAUTION: Prior to installation, locate All INCLUDED PARTS before disposing of packaging materials.

TOOLS REQUIRED FOR INSTALLATION	
Screwdrivers	Pliers
Electrical Tape	Wire Connectors
Wire Cutters	Adjustable Wrench

Note: Light bulb(s) are not included. See light fixture for bulb specification. Additional wiring supplies may be required

Parts Not Included:		
Part	Qty.	Description
A	1	Ceiling Outlet Junction Box
B	1	Hot Junction Box Wire
C	1	Neutral Junction Box Wire
D	1	Ground Junction Box Wire

Parts Included (Refer to figure):		
Part	Qty.	Description
E	3	Wire Connectors
F	1	Mounting Bracket
G	1	Ground Screw
H	2	Mounting Screws
I	2	Hex Nut
J	1	Nipple
K	1	S-Hook
L	1	Lock Washer
M	1	Canopy
N	1	Threaded Ring
O	1	Finial
P	3	Cable Gripper
Q	3	Clutch Wire
R	3	Wire Stopper
S	3	Wire Stopper Nut
T	3	Socket
U	1	Fixture Body



093078 BRS Palmetta Hammered Chandelier 31" Assembly Instructions, continued

ASSEMBLY PROCEDURES:

1. SHUT OFF THE MAIN ELECTRICAL SUPPLY FROM THE MAIN FUSE BOX/CIRCUIT BREAKER.
2. Carefully unpack all fixture parts and hardware from carton. Do not throw away any parts.
3. Determine the desired lighting fixture suspension length from the ceiling.
4. Depending upon final fixture hanging position from the ceiling cut off the extra length on the two-wire cord cable and bare ground wire. When cutting the power cord and bare ground wire, be sure to cut it so that it is at least 6" (152.4 mm) long inside the Ceiling Outlet Junction Box. To prepare to cut power cord for the installation process, use wire strippers to prepare the ends of the two wires so that there is about 1/2" of exposed wire for the Wire Connectors (E).
5. Adjust the Clutch Wire (Q) length by pushing the Cable Gripper (P) on the canopy and pulling the wire as desired. Make sure that all 3 Clutch Wires (Q) are the same length so the whole lighting fixture (U) will be level. **IMPORTANT:** For safety, run each of the Clutch Wires (Q) through a Wire Stopper (R), fasten the end of wire through the Wire Stopper and lock it securely with Wire Stopper Nut (S).
6. Gently tuck the extra Clutch Wire (Q) length neatly into the canopy (M).
7. Gently pull existing Ground (D), Hot (B), and Neutral (C) Junction Box Wires down from the Ceiling Junction Box (A) and allow these to hang.
8. Attach the Mounting Bracket (F) to the Ceiling Outlet Junction Box (A) using the Mounting Screws (H). Tighten screws with a screwdriver until secure.
9. Attach one Hex Nut (I) to the top and the other Hex Nut (I) to the bottom of the Nipple (J). Attach the Lock Washer (L) to the bottom of Nipple (J).
10. Secure the top of the Nipple (J) to the Mounting Bracket (F) with the Hex Nut (I), exposing approximately 2" of the thread.
11. Carefully inspect the wires on the chandelier fixture. The Neutral Fixture Wire is ribbed. The Hot Fixture Wire is smooth, and the Ground Wire is copper. **IMPORTANT:** Make sure that the safety wire connecting the loop inside the Canopy is attached to the Mounting Bracket (F) with the S-Hook (K).
12. Make proper electrical connections as described in steps 13–16. A LICENSED ELECTRICIAN IS RECOMMENDED.
13. Attach the Ground Wire from the fixture to the Ground Junction Box Wire (D); it usually has green insulation around it or is bare wire. Fasten these together with a Wire Connector (E) and wrap the connection with electrical tape. Make sure no wire strands are exposed. If your Ceiling Outlet Junction Box (A) does not have a Ground Junction Box Wire (D), insert the Ground Screw (G) into the Mounting Bracket (F) where it is marked "Ground" and wrap the bare ground wire from the chandelier around the Ground Screw (G). Tighten the screw to clamp the Ground Wire between the Ground Screw (G) head and the Mounting Bracket (F). **IT IS IMPERATIVE THAT THE CEILING JUNCTION BOX (A) IN YOUR HOME BE PROPERLY GROUNDED.**
14. Connect the Neutral Fixture Wire to the Neutral Junction Box Wire (C); it usually has white insulation around it. Fasten these together with a plastic Wire Connector (E) and wrap the connection with electrical tape. Make sure that no wire strands are exposed.

093078 BRS Palmetta Hammered Chandelier 31" Assembly Instructions, continued

15. Connect the Hot Fixture Wire to Hot Junction Box Wire (B); it usually has black insulation around it. Fasten these together with a plastic Wire Connector (E) and wrap the connection with electrical tape. Make sure that no wire strands are exposed. DO NOT REVERSE THE HOT AND NEUTRAL CONNECTIONS OR SAFETY WILL BE COMPROMISED.
16. Wire the fixture wires through the hole on the Canopy (M). Gently tuck the wire connections neatly into the Ceiling Outlet Junction Box (A).
17. Place the Canopy (M) over the Ceiling Outlet Junction Box (A) and secure it with Threaded Ring (N) and Finial (O).
18. Insert three (3) 60-Watt maximum Type B Candelabra incandescent light bulbs (not included) or three (3) 5.5-watt maximum LED light bulb (not included) into the sockets (T). Do not exceed the specified wattage.

CARE INSTRUCTIONS

1. Wipe with a soft, dry cloth.
2. AVOID cleaners, harsh chemicals, scouring pads, etc. as these may cause damage to the pendant finish.

After troubleshooting, if the light fixture still does not work, contact your local Ethan Allen Design Center.

SAVE THESE INSTRUCTIONS