

# ETHAN ALLEN®

## Dune Black and Brass Ribbed Pendant ASSEMBLY INSTRUCTIONS

093079 BRS

### IMPORTANT SAFETY INSTRUCTIONS. READ THESE INSTRUCTIONS COMPLETELY BEFORE STARTING.

We strongly recommend that all direct-wired lighting products be installed by a licensed electrician. Two people may be required for installation. DO NOT EXCEED the rated bulb wattage. Keep flammable materials away from bulbs. This light fixture is shipped with all internal wiring intact. Do not open the product or alter the wiring in any manner.

Installation requires an electrical junction box in the ceiling sufficient to support the weight of the light fixture. This fixture weighs: 5.73 lbs. (2.6kg).



**WARNING:** Be certain that the power to the electrical junction box is turned off at the circuit breaker before installation. Turning the power off at a light switch is not sufficient to prevent electrical shock.

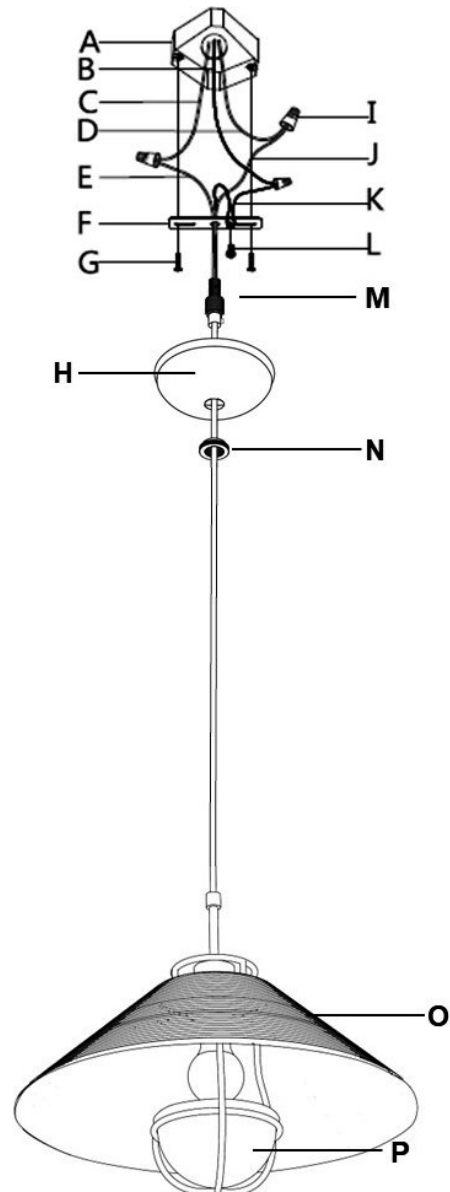
**CAUTION:** Prior to installation, locate All INCLUDED PARTS before disposing of packaging materials.

TOOLS REQUIRED FOR INSTALLATION	
Screwdrivers	Pliers
Electrical Tape	Wire Connectors
Wire Cutters	Adjustable Wrench

Note: Requires a 5.5W max LED E26 Type A bulb, which is not included. Additional wiring supplies may be required.

Parts Not Included:		
Part	Qty.	Description
A	1	Ceiling Outlet Junction Box
B	1	Ground Junction Box Wire
C	1	Hot Junction Box Wire
D	1	Neutral Junction Box Wire

Parts Included (Refer to figure):		
Part	Qty.	Description
E	1	Hot Fixture Wire
F	1	Mounting Bracket
G	2	Mounting Screws
H	1	Canopy
I	3	Wire Connectors
J	1	Neutral Fixture Wire
K	1	Ground Fixture Wire
L	1	Ground Screw
M	1	Hex Nut (Pre-fitted to Mounting bracket)
N	1	Lock Washer
O	1	Shade
P	1	Seeded Glass Bowl



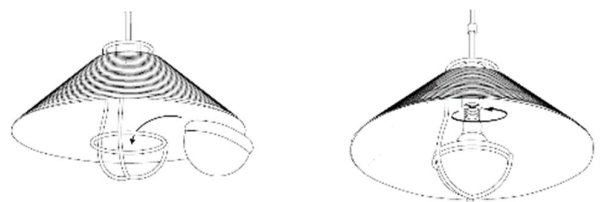
## 093079 BRS Dune Black and Brass Ribbed Pendant assembly instructions, continued

### Assembly Procedure (refer to the figure):

1. SHUT OFF THE MAIN ELECTRICAL SUPPLY FROM THE MAIN FUSE BOX/CIRCUIT BREAKER.
2. Remove all the parts from the carton. Do not throw away any parts.
3. Remove the Mounting Bracket (F) from the Canopy (H) by unscrewing the Lock Washer (N).
4. Make proper electrical connections as described in steps 8–12. A LICENSED ELECTRICIAN IS RECOMMENDED.
5. Gently pull existing Ground (B), Hot (C), and Neutral (D) Junction Box Wires down from the Ceiling Junction Box (A) and allow these to hang.
6. Carefully inspect the pendant's fixture wires. The Neutral Fixture Wire (J) is ribbed. The Hot Fixture Wire (E) is smooth, and the Ground Fixture Wire (K) is copper.
7. Attach the Ground Fixture Wire (K) to the Ground Junction Box Wire (B); it usually has green insulation around it or is bare wire. Fasten them together with a Wire Connector (I) and wrap the connection with electrical tape. Make sure that no wire strands are exposed. If your Ceiling Outlet Junction Box (A) does not have a Ground Junction Box Wire (B), insert the Ground Screw (L) into the Mounting Bracket (F) where it's marked "Ground," and wrap the bare Ground Fixture Wire (K) around the Ground Screw (L). Tighten the screw to clamp the Ground Junction Box Wire (B) between the Ground Screw (L) head and the Mounting Bracket (F). It is imperative that the Ceiling Junction Box (A) in your home be properly grounded.
8. Connect the Neutral Fixture Wire (J) to the Neutral Junction Box Wire (D); it usually has white insulation around it. Fasten them together with a plastic Wire Connector (I) and wrap the connection with electrical tape. Make sure that no wire strands are exposed.
9. Connect the Hot Fixture Wire (E) to Hot Junction Box Wire (C); it usually has black insulation around it. Fasten these together with a plastic Wire Connector (I) and wrap the connection with electrical tape. Make sure that no wire strands are exposed. Do not reverse the hot and neutral connections or safety will be compromised.
10. Gently tuck the wire connections neatly into the Ceiling Outlet Junction Box (A).
11. Attach the Mounting Bracket (F) to the Ceiling Outlet Junction Box (A) using the Mounting Screws (G). Tighten screws with a Screwdriver until secure.
12. Push Canopy (H) up over the Mounting Bracket (F) until it is flush with the ceiling.
13. Push Lock Washer (N) through hole in Canopy (H) and thread onto nipple on the Mounting Bracket (F). Secure by turning the Lock Washer (N) clockwise until Canopy (H) is flush with the ceiling.
14. Insert the Seeded Glass Bowl (P) into the cage carefully.

15. Insert (1) 5W max LED E26 Type A bulb (not included) into the socket.

DO NOT EXCEED SPECIFIED WATTAGE.



16. Restore power to Ceiling Outlet Junction Box (A) and test fixture.

### Care Instructions

1. Wipe with a soft, dry cloth.
2. AVOID cleaners, harsh chemicals, scouring pads, etc. as these may cause damage to the chandelier finish.

After troubleshooting, if the light fixture still does not work, contact your local Ethan Allen Design Center.

SAVE THESE INSTRUCTIONS