

ETHAN ALLEN®

Tilda Pendant White 18" ASSEMBLY INSTRUCTIONS

094002 BRS

IMPORTANT SAFETY INSTRUCTIONS, READ THESE INSTRUCTIONS COMPLETELY BEFORE STARTING.

We strongly recommend that all direct-wired lighting products be installed by a licensed electrician. Two people may be required for installation. DO NOT EXCEED the rated bulb wattage. Keep flammable materials away from bulb. This light fixture is shipped with all internal wiring intact. Do not open the product or alter the wiring in any manner.

Installation requires an electrical junction box in the ceiling sufficient to support the weight of the light fixture. This fixture weighs 5 lbs. (2.3 kg).



WARNING: Be certain that the power to the electrical junction box is turned off at the circuit breaker before installation. Turning the power off at a light switch is not sufficient to prevent electrical shock.

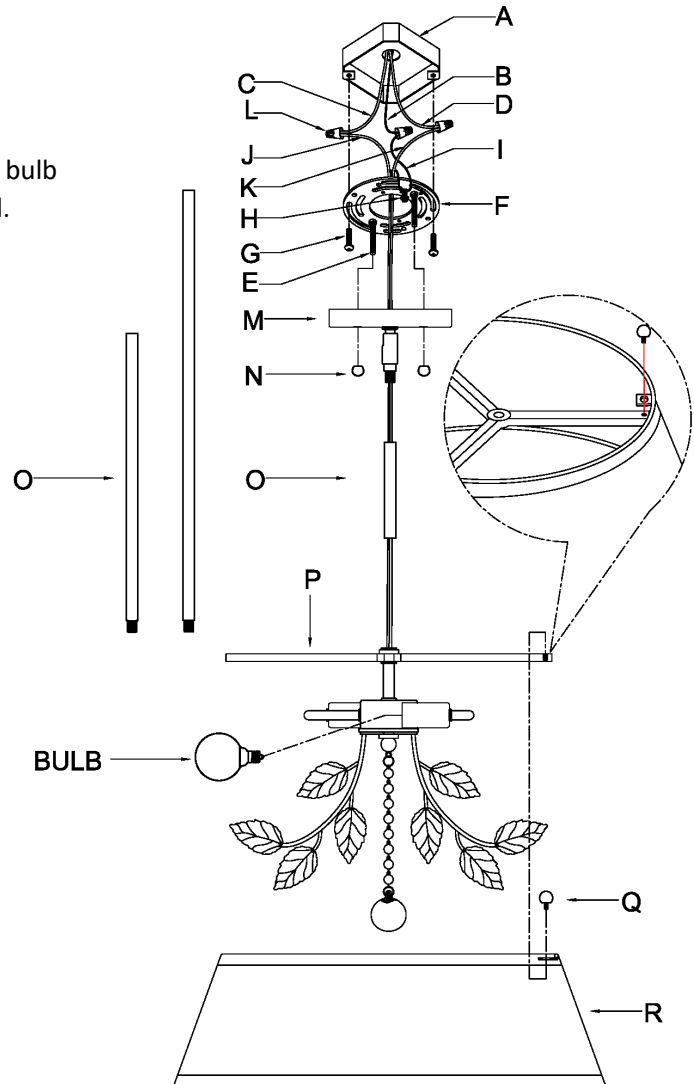
CAUTION: Prior to installation, locate All INCLUDED PARTS before disposing of packaging materials.

| TOOLS REQUIRED FOR INSTALLATION | |
|---------------------------------|-------------------|
| Screwdrivers | Pliers |
| Electrical Tape | Wire Connectors |
| Wire Cutters | Adjustable Wrench |

Note: Light bulb(s) are not included. See light fixture for bulb specification. Additional wiring supplies may be required.

| Parts Not Included: | | |
|---------------------|------|-----------------------------|
| Part | Qty. | Description |
| A | 1 | Ceiling Outlet Junction Box |
| B | 1 | Ground Junction Box Wire |
| C | 1 | Hot Junction Box Wire |
| D | 1 | Neutral Junction Box Wire |

| Parts Included (refer to figure): | | |
|-----------------------------------|------|--|
| Part | Qty. | Description |
| E | 2 | Mounting Screws |
| F | 1 | Mounting Plate |
| G | 2 | Outlet Box Screws |
| H | 1 | Ground Screw |
| I | 1 | Ground Wire |
| J | 1 | Hot Fixture Wire |
| K | 1 | Neutral Fixture Wire |
| L | 3 | Wire Connectors |
| M | 1 | Canopy |
| N | 2 | Canopy Ball Nuts |
| O | 3 | Hanging Rods (one of each: 4", 12", 18") |
| P | 1 | Fixture Body |
| Q | 3 | Shade Ball Nuts |
| R | 1 | Fabric Shade |



Note: Hanging rods of multiple lengths are provided to allow adjustment of the lighting fixture's suspended length.

094002 BRS Tilda Pendant White 18" Assembly Instructions, continued

Assembly Procedure (refer to figure):

1. SHUT OFF THE MAIN ELECTRICAL SUPPLY FROM THE MAIN FUSE BOX/CIRCUIT BREAKER.
2. Remove all parts from carton. Do not throw away any parts.
3. Screw the 4" Hanging Rod (O) into the Fixture Body (P) until tightened.
4. Attach as many Hanging Rods (O) to the 4" Hanging Rod (O) together as needed to achieve desired suspended length.
5. Connect Canopy (M) to the top of Hanging Rods (O) and turn clockwise until secure.
6. Gently pull existing Ground (B), Hot (C), and Neutral (D) Junction Box Wires down from the Ceiling Junction Box (A) and allow these to hang.
7. Carefully inspect the pendant's fixture wires. The Neutral Fixture Wire (K) is ribbed. The Hot Fixture Wire (J) is smooth, and the Ground Wire (I) is in silver.
8. Make proper electrical connections as described in steps 9–12. A LICENSED ELECTRICIAN IS RECOMMENDED.
9. Attach the Ground Wire (I) from the fixture to the Ground Junction Box Wire (B); it usually has green insulation around it or is bare wire. Fasten them together with a Wire Connector (L) and wrap the connection with electrical tape. Make sure that no wire strands are exposed. If your Ceiling Outlet Junction Box (A) does not have a Ground Junction Box Wire (B), insert the Ground Screw (H) into the Mounting Plate (F) where it's marked "Ground," and wrap the fixture's bare ground wire around the Ground Screw (H). Tighten the screw to clamp the Ground Junction Box Wire (B) between the Ground Screw (H) head and the Mounting Plate (F). It is imperative that the Ceiling Junction Box (A) in your home be properly grounded.
10. Connect the Neutral Fixture Wire (K) to the Neutral Junction Box Wire (D); it usually has white insulation around it. Fasten them together with a plastic Wire Connector (L) and wrap the connection with electrical tape. Make sure that no wire strands are exposed.
11. Connect the Hot Fixture Wire (J) to Hot Junction Box Wire (C); it usually has black insulation around it. Fasten these together with a plastic Wire Connector (L) and wrap the connection with electrical tape. Make sure that no wire strands are exposed. Do not reverse the hot and neutral connections or safety will be compromised.
12. Gently tuck the wire connections neatly into the Ceiling Outlet Junction Box (A).
13. Attach the Mounting Plate (F) to the Ceiling Outlet Junction Box (A) using the Outlet Box Screws (G). Tighten screws with a screwdriver until secure.
14. Place the Canopy (M) onto the Ceiling Outlet Junction Box (A), aligning Mounting Screws (E) on the Mounting Plate (F) with mounting holes on the Canopy (M). Lock securely with Canopy Ball Nuts (N).
15. Slide the Fabric Shade (R) up past the bottom of the Fixture Body (P) so that the three brackets on the fabric shade rest on the Fixture Body (P). Attach the Fabric Shade (R) to the Fixture Body (P) by screwing the Shade Ball Nuts (Q) into the three brackets on the Fabric Shade (R).
16. Insert three (3) 25W-maximum Type G base incandescent light bulbs (not included) or three (3) 2.2W-maximum LED bulbs (not included) into each socket. Do not exceed the specified wattage.

Care and Cleaning

1. Wipe with a soft dry cloth.
2. AVOID cleaners, harsh chemicals, scouring pads, etc. as these may cause damage to the chandelier finish.

After troubleshooting, if the light fixture still does not work, contact your local Ethan Allen Design Center.

SAVE THESE INSTRUCTIONS