

ETHAN ALLEN®

Tiberius Swing Arm Plug-In Wall Sconce Assembly Instructions 09-8028P

IMPORTANT SAFETY INSTRUCTIONS

TO REDUCE THE RISK OF FIRE, ELECTRICAL SHOCK, AND PERSONAL INJURY: This lamp is equipped with a three-prong plug. DO NOT MODIFY the plug or power cord in any way. DO NOT EXCEED the recommended bulb wattage. Use only the type of bulb specified. Keep flammable materials away from bulb. DO NOT OPEN the product or alter the wiring in any manner. Extension cord: Follow precautions provided with power cord.

This lighting fixture is for indoor use only.

READ THESE INSTRUCTIONS COMPLETELY BEFORE STARTING.

CAUTION: Prior to installation, locate ALL INCLUDED PARTS before disposing of packaging materials.

TOOLS REQUIRED FOR INSTALLATION:

1. Screwdrivers
2. Drill
3. Hammer

Parts Included (refer to figure):

| Part | Qty. | Description | Part | Qty. | Description | Part | Qty. | Description |
|------|------|-------------|------|------|----------------------------|------|------|----------------------|
| A | 1 | Finial | F | 1 | Backplate | K | 1 | Cord cover connector |
| B | 1 | Shade | G | 2 | Screw | L | 1 | Mounting plate |
| C | 1 | Harp | H | 1 | Plug screw (If hardwiring) | M | 2 | Tapping screw |
| D | 1 | Socket | I | 1 | Plug cord | N | 2 | Wall anchor |
| E | 1 | Saddle | J | 2 | Cord cover | | | |

Assembly Procedure (refer to figure):

1. Prior to installation, ensure that no wiring exists behind the wall you are using for installation. Check to see if a stud is available.
2. Remove all parts from carton. Do not throw away any parts.
3. Draw a 4-6/8" vertical line on the wall, centered where you want the sconce. Be sure the line is plumb.
4. Position the Mounting Plate (L) so that it is bisected by the line drawn on the wall. Insert a pencil through the Keyhole Slots and mark the wall.
5. Drill small pilot holes at marked locations on the wall. Holes should be sized so they accommodate the Wall Anchors (N) provided. Insert Wall Anchors (N) into drilled holes. Mount the Mounting Plate (L) onto the wall by drilling Tapping Screws (M) into Wall Anchors (N). Attach Backplate (F) to Mounting Plate (L) using Screws (G).
6. Install Cord Covers (J) connecting with Cord Cover Connector (K) to the sconce.
7. Insert Harp (C) onto lamp Saddle (E). Put Shade (B) onto Harp (C). Secure with Finial (A).
8. Install proper light bulb into Socket (D).

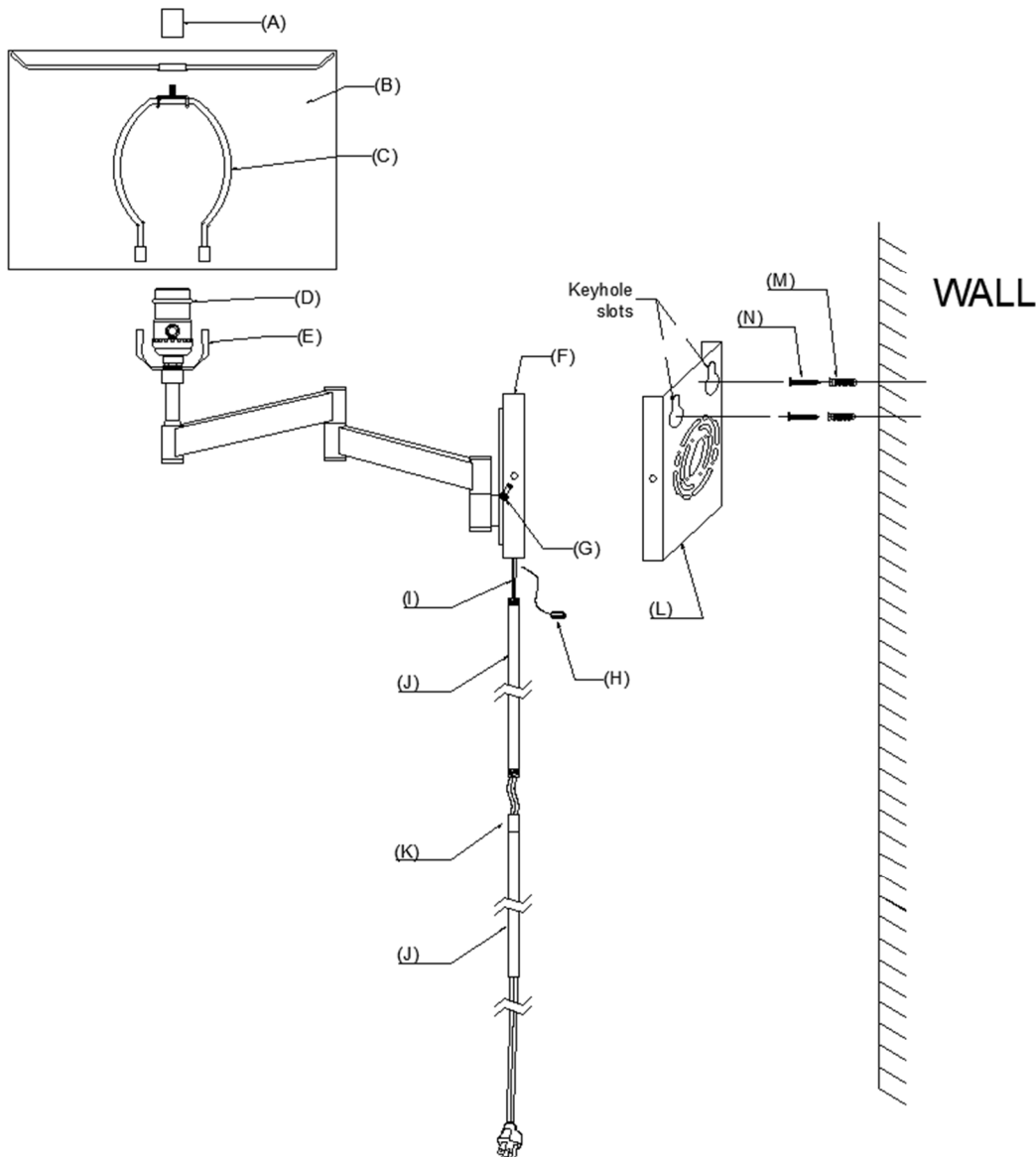
IMPORTANT SAFETY INSTRUCTIONS to convert to direct-wired lighting. We strongly recommend that all direct-wired lighting products be installed by a **licensed electrician**. Two people may be required for installation. DO NOT EXCEED the rated bulb wattage. Keep flammable materials away from bulb. This light fixture is shipped with all internal wiring intact. Do not open the product or alter the wiring. If installing as a hardwired fixture, installation requires an electrical junction box in the wall sufficient to support the weight of the light fixture.



WARNING: If installing as a hardwired fixture, be certain that the power to the electrical junction box is turned off at the circuit breaker before installation. Turning the power off at a light switch is not sufficient to prevent electrical shock. Then, the Plug Screw (H) can be used to cover the plug on the fixture.

Care and Cleaning:

1. Wipe with a soft dry cloth.
2. AVOID cleaners, scouring pads, etc.



After troubleshooting, if the lighting fixture still does not work, contact your local Ethan Allen Design Center.
SAVE THESE INSTRUCTIONS